

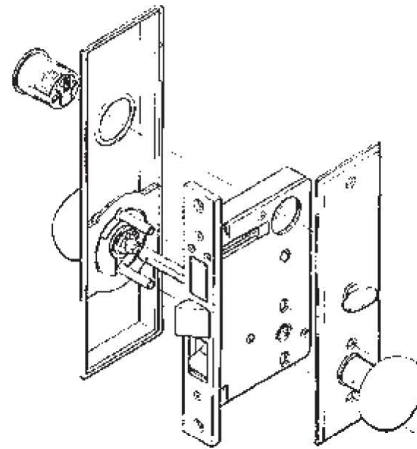
## MORTISE LOCK WITH KNOB ESCUTCHEON

The ML914 Mortise lock adds security and style to any mortise prepped door. It features a floating spindle.



### FEATURES:

- Solid Brass Mortise lockset with reversible latchbolt
- DL-ML914: Spindle fixed to escutcheons
- Full 1" throw Chrome Plated heavy duty deadbolt
- Solid Brass knobs and escutcheon plates
- Door Thickness: 1 $\frac{3}{4}$ " standard
- Backset: 2 $\frac{1}{2}$ "
- Exterior plate: 2 $\frac{3}{4}$ " x 10" Solid Brass
- Face Plate: 11/16" x 7 5/8"
- Cylinder: Schlage "C" keyway
- Keying: 5 Pin tumbler
- Strike: Standard ASA strike
- Finish: US3



### **MODEL #ML914**

Solid Brass regular knobs - 2 1/4" diameter with floating spindle and thru-bolted escutcheons

### **CROSS REFERENCE**

#### **MARKS MODEL #9140**

Solid Brass regular knobs - 2-1/4" diameter with threaded spindle