

# DL-LSV SERIES

GRADE 2



## FEATURES

- Door Thickness: 1-3/4" - 1-5/8"
- Backset: 2-3/4"
- Cylinder: Schlage "C" keyway
- Keying: Schlage 6 pin keyed to 5 pin
- Key: 2 six pin Nickel Plated
- Functions: See below
- Latch: 1/2" projection Stainless Steel
- Face: 1 1/8" x 2 1/4"
- Bore: 2 1/8" hole retrofits all cylindrical locksets
- Fits 161 Prep doors
- Strike: ANSI 1 1/4" x 4 7/8"
- Removable Thru-Bolts
- Non-handed / reversible
- Warranty: 1 year mechanical and finish
- Finish: US10B, US26D

## OPTIONS

- IC - Small format
- Interchangeable Core NOT included
- DL-DLUL238 - 2 3/8" backset, UL Deadlatch
- DL-SLUL238 - 2 3/8" backset, UL Springlatch
- DL-TAO13 - 1 1/8" 2 3/4" "T" Strike
- DL-EXBS5: Extension for 5" backset
- DL-LSV53DB751 - Combo, Single Cylinder
- DL-LSV53DB760 - Combo, Double Cylinder

## KEYING OPTIONS:

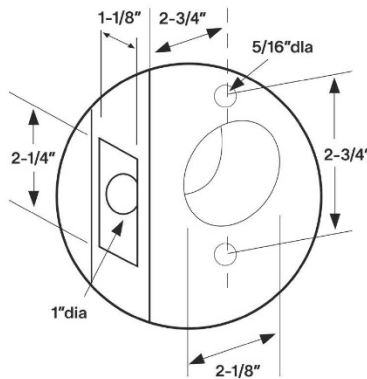
(additional charges may apply)

- 2 keys per cylinder
- KD: Keyed Different
- KA: Keyed Alike
- KA2: Keyed Alike; groups of 2
- KEYWAYS: SC6

## CROSS REFERENCE

FUNCTION	TA	DORMA	HAGAR	CAL-ROYAL	PDQ	SCHLAGE	TELL
PASSAGE	LSV10	CL210	3510	SL30	GT126	AL10S	LC2675
PRIVACY	LSV40	CL240	3540	SL20	GT176	AL40S	LC2676
ENTRANCE	LSV53	CL253	3550	SL00	GT116	AL53PD	LC2682
CLASSROOM	LSV70	CL270	3570	SL03	GT148	AL70PD	LC2684
STOREROOM	LSV80	CL280	3580	CLS04	GT115	AL80PD	LC2686

## DOOR PREP DIAGRAM



www.impusa.com

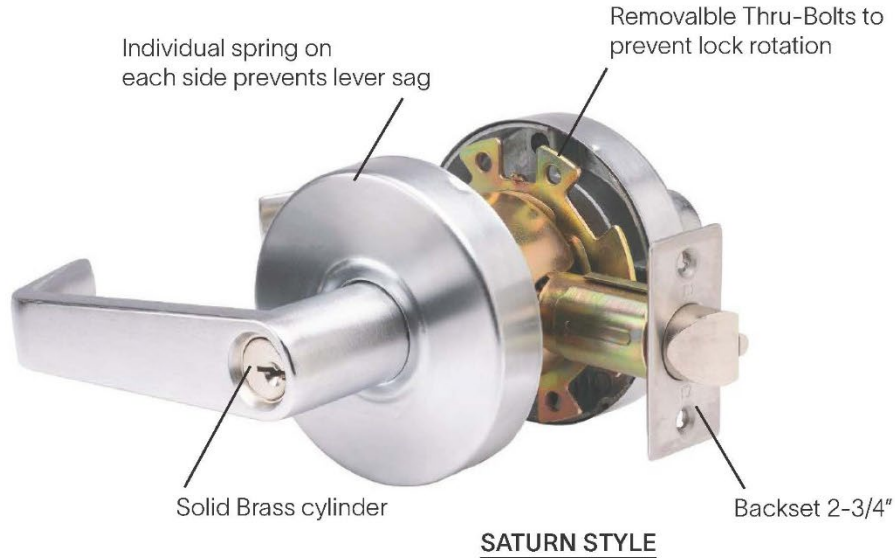


# DL-LSV SERIES

GRADE 2

## STANDARD DUTY COMMERCIAL CYLINDRICAL LEVER

The DL-LSV Series cylindrical leversets are designed for use on standard Grade 2 commercial applications. The LSV Saturn Style series is ADA compliant.



**LSV / DB751 COMBO**



**IC CORE OPTION**  
(Only Saturn Style)  
(Core not included)



### CODE COMPLIANCE

- Certification: UL Listed R14879 ANSI A 156.2 Grade 2
- ANSI A156.2 Grade 2, UL10C and UBC 7.2 for positive pressure
- ANSI A117.1 ADA Barrier-free Accessibility
- UL - R13823