

# DL-HVB SERIES

GRADE 1



## FEATURES

- Door Thickness: 1-3/4" - 2"
- Backset UL Listed: 2 3/4" face, 1-1/8" x 2-1/4"
- Cylinder: Schlage "C" keyway
- Keying: Schlage 6 pin keyed
- Key: 2 six pin Nickel Plated
- Functions: See below
- Latch: 5/8" projection Stainless Steel 3 hour
- Bore: 2-1/8" hole retrofits all cylindrical locksets
- Fits 161 Prep
- Strike: ANSI 1-1/4" x 4-7/8" strike
- Non-handed / reversible
- Warranty: 1 year mechanical and finish
- Finish: US26D

## OPTIONS

- IC - Small format Figure 8 Interchangeable
- Core NOT included
- DL-TA013 - 1-1/8" x 2-3/4" "T" Strike

## KEYING OPTIONS:

(additional charges may apply)

- 2 keys per cylinder
- KD: Keyed Different
- KA: Keyed Alike
- KA2: Keyed Alike; groups of 2
- KEYWAYS: SC6

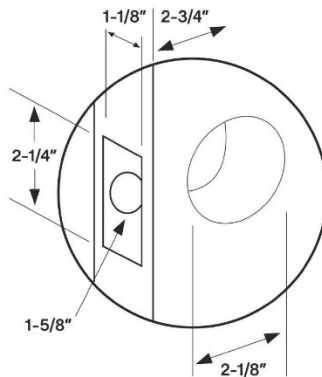
## ACCESSORIES:

See page 29

## CROSS REFERENCE

FUNCTION	TA	HAGAR	CAL-ROYAL	PDQ	SCHLAGE	TELL
PASSAGE	DL-HVB10	3410	GRB30	SX126	ND10	KC2375
PRIVACY	DL-HVB40	3440	GRB20	SX176	ND40	KC2376
ENTRANCE	DL-HVB53	3453	GRB00	SX116	ND53	KC2381
CLASSROOM	DL-HVB70	3470	GRB03	SX148	ND70	KC2384
STOREROOM	DL-HVB80	3480	GRB04	SX115	ND80	KC2386

## DOOR PREP DIAGRAM



www.impusa.com

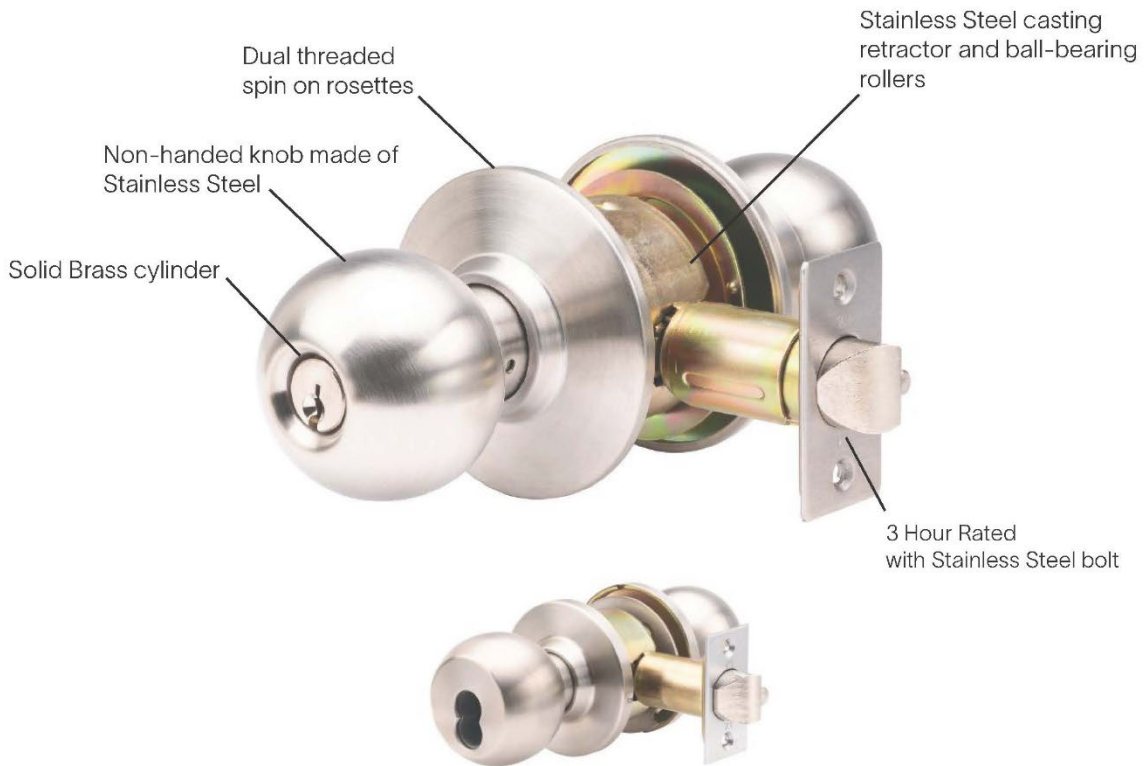


# DL-HVB SERIES

GRADE 1

## HEAVY DUTY COMMERCIAL CYLINDRICAL KNOB

The DL-HVB series cylindrical knobsets are designed for use on heavy duty Grade 1 commercial applications.



**IC CORE OPTION**  
(Core not included)

### CODE COMPLIANCE

- Certification: UL Listed R13823 ANSI A156.2 Grade 1
- ANSI A156.2 Grade 1, UL10C and UBC 7.2 for positive pressure
- UL - R13823

10

[www.impusa.com](http://www.impusa.com)