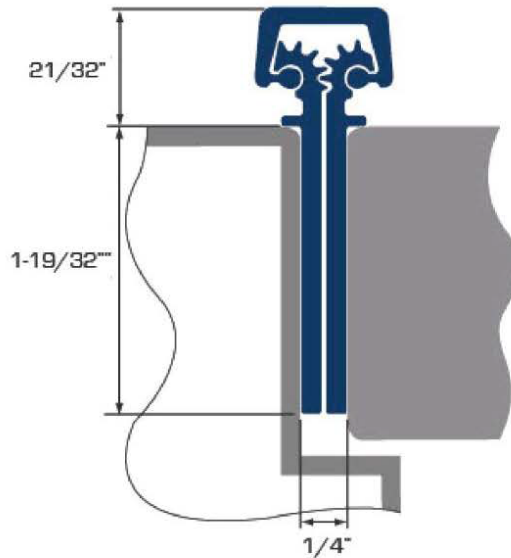


CONTINUOUS HINGES

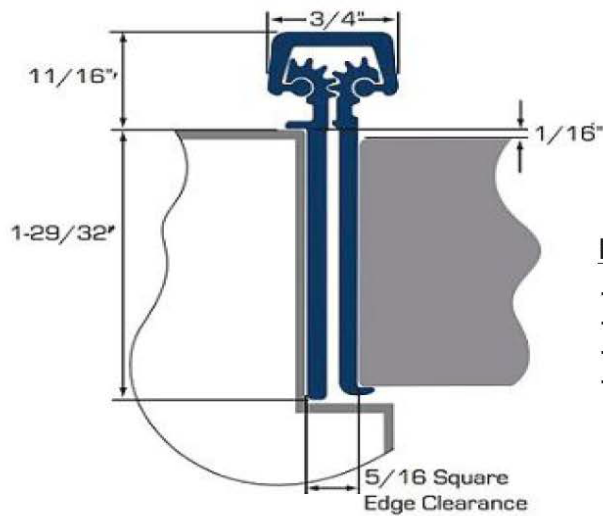


FULL MORTISE HEAVY DUTY CONTINUOUS HINGES



CFM

- Flush mount
- Each hinge leaf has an alignment stop
- $1/4"$ clearance between door and frame
- Available length: 83"



FM2

- $1/16"$ recessed door offset
- Door edge guard
- $5/16"$ clearance between door and frame
- Available lengths: 83" and 95" HD

CONTINUOUS HINGES



FULL MORTISE HEAVY DUTY CONTINUOUS HINGES



FEATURES

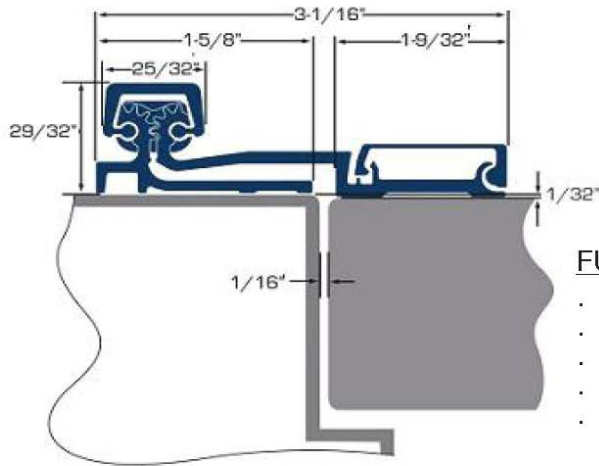
- Available in full mortise and surface mount
- 6063 T6 Aluminum alloy, with interlocking extrusions
- Non-handed design
- 83" or 95" length
- Standard duty with 16 thrust type self-lubricating concealed bearings per hinge
- Heavy duty with 32 thrust type self-lubricating concealed bearings per hinge
- High degree of security
- Anodized Aluminum material
- Through bolt and machine screws
- Templated hole patterns
- 1 year mechanical and finish warranty
- Finishes: AL, DU

CROSS REFERENCE

SIZES	GLOBAL DOOR CONTROLS	ROTON	SELECT	PEMKO
Heavy Duty 83"	THY-1183CFMHD	780-112HD	SL11HD	FMSLFHD
	THY-1183HD	780-210HD	SL21HD	FSHD
	THY-1183FM2HD	780-224HD	SL24HD	FMHD
	THY-1183LFHD	780-157HD	SL57HD	FSCPHD
	THY-1183HSHD	780-053HD	SL53HD	*NEW Half-Surface SKU*
	THY-1183NFHSHD	780-054HD	SL54HD	*NEW Half-Surface SKU*
Heavy Duty 95"	THY-1195CFMHD	780-112HD	SL11HD	FMSLFHD
	THY-1195FM2HD	780-224HD	SL24HD	FMHD
	THY-1195LFHD	780-157HD	SL57HD	FSCPHD

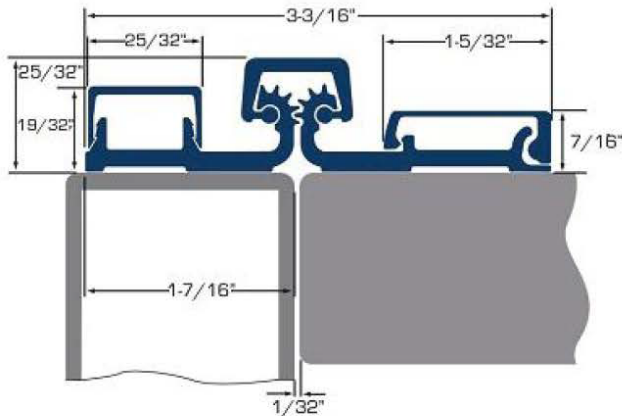
CONTINUOUS HINGES

FULL MORTISE HEAVY DUTY CONTINUOUS HINGES



FULL SURFACE

- Full surface continuous hinge
- 1/32" recessed door offset
- Tamper resistant removable cover
- 1/16" clearance between door and frame
- Available length: 83" and 95"



LIMITED FRAME

- Full surface continuous hinge
- For narrow limited frame applications
- Tamper resistant removable cover
- 1/32" clearance between door and frame
- Available lengths: 83" and 95" HD